



# 河北盛航专用汽车制造有限公司

Hebei Shenghang Special Purpose Automobile Manufacturing Co., Ltd



[www.hbshcx.com](http://www.hbshcx.com)

专业创一流品质  
Professional For Top Quality





# Company Profile

河北盛航专用汽  
Hebei Shenghang Special Aut

团结 拼搏 求实 创新

河北盛航专用汽车制造有限公司是一家专业研发、生产、销售、售后服务于一体的专用车辆生产企业。公司始建于2012年，前身河北盛捷车厢制造销售有限公司。改建于2017年，注册资金5001万元。目前主要覆盖半挂车、随车吊和专用车3大业务版块，各种半挂车、专用车及随车吊年产能8000余台。目前热销产品主要为：栏板式半挂车、仓栅式半挂车、集装箱式半挂车、自卸式半挂车、低平板半挂车、自卸车，并承接专用车的改装、设计等业务。公司拥有行业领先的生产设备和自动化流水线生产工艺，激光切割机，数控液压摆式剪板机，门式纵梁焊接机，门芯板液压成型机、水下等离子切割机、异形孔冲压机、自动门板焊机、自动抛丸机、喷砂房等设备。

公司以工程机械博士导师为科技带头人，以高效务实的精神，带领盛航员工不断积累经验，砥砺前行、科技创新，拼搏在前行的路上，“高效创新、科技研发、不忘初心、严守质量”，用工匠精神诠释了现代工业企业发展理念。公司生产全部产品均拥有自主知识产权以及国家专利。

公司以“质量求生存，诚信求发展”为经营理念，拥有ISO9001认证、国军标认证、3C认证、专用车企业的生产资质、国家工信部公告企业，并与石家庄工兵局(6411)、航天西安210所，石家庄军械研究院、北京装甲兵技术研究院等多家军工企业长期合作。为华北地区最大的专用车生产制造企业，公司产品销往全国20余个省市及海外10多个国家级地区。





**Unity Hard work Realistic Innovative**

Hebei Shenghang Special Automobile Manufacturing Co., Ltd. is one of largest special vehicle manufacturer specializing in research and development, production, sales and after-sales service. Company was founded in 2012 and formerly known as Hebei Shengjie Carriage Manufacturing & Sales Co., Ltd. The reconstruction was completed in 2017 with a registered capital of RMB 50.01 million. At present, it mainly covers three business segments as semi-trailers, Truck-mounted cranes and Special vehicles . The annual capacity is more than 8000 units. Currently, best selling products mainly include: Low wall semi-trailer, Fence semi-trailer, Container chassis, Dump semi-trailer, Lowbed semi-trailer, Dump truck, Tanker trailer and undertake the modification and design of special vehicles. The company has industry-leading production equipments and automatic assembly line production process. Such as, Laser Cutting Machine, CNC Hydraulic Swing Shear, Automatic Submerged Arc Welding Machine, Hydraulic Molding Machine of walls, Plasma Cutting Machine, Profiled Hole Punching Machine, Automatic welding machine of walls, Automatic Shot Blasting Machine, Sandblasting Machine and other equipments.

The head of science and technology development has Doctor degree of engineering machinery and in the spirit of efficiency and pragmatism, leads all of the staffs of Shenghang to continuously accumulate experience, forward ahead, innovate in science and technology, and work hard on the way forward. "Efficient innovation, scientific research and development, never forget the original intention, and strictly adhere to top quality". And explains the development concept of modern industrial enterprises with craftsmanship. All products produced by us have independent intellectual property rights and national patents.

With the business philosophy of "Quality for Survival, Integrity for Development", As a MIIT Licensed enterprise, Shenghang has certifications as ISO9001, 3C and GJB 9001C Weapon Equipmet Quality management System. We also has long-term cooperation with many military enterprises such as Shijiazhuang Engineering Bureau (6411), Xi'an Aerospace Research Institute, Shijiazhuang Ordnance Research Institute, Beijing Armor Technology Research Institute, etc. As the largest manufacturer of special purpose vehicles in North China, out products are sold to more than 20 provinces and cities across China and more than 10 countries and regions overseas.





# 河北盛航专用汽车制造有限公司

Hebei Shenghang Special Purpose Automobile Manufacturing Co., Ltd

## 公司设备

Company Equipment

工欲善其事  
必先利其器



激光切割机



数控液压摆式剪板机

Laser Cutting Machine

门式纵梁焊接机

CNC Hydraulic Swing Shear

门芯板液压成型机

Automatic Submerged Arc Welding Machine

水下等离子切割机

Hydraulic Molding Machine of walls

异形孔冲压机

Plasma Cutting Machine

自动门板焊机

Profiled Hole Punching Machine

自动抛丸机

Automatic welding machine of walls

喷砂房

Automatic Shot Blasting Machine

Sandblasting Machine











## ■ Skeletal Semi-Trailer Series



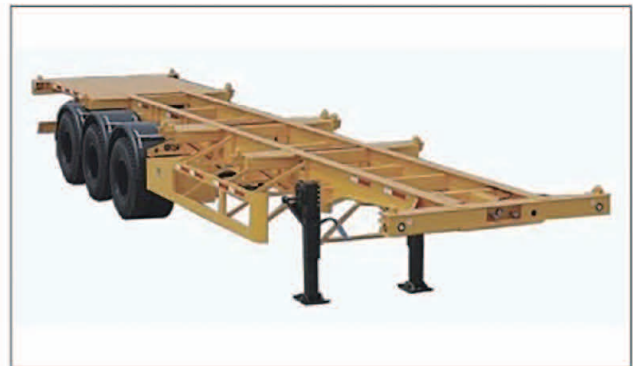
20Ft 2Axles Skeletal Semi-Trailer



20Ft 2Axles Big Gooseneck Type Skeletal Semi-Trailer



20Ft 3Axles Big Gooseneck Type Skeletal Semi-Trailer



40Ft 3Axles Skeletal Semi-Trailer



40Ft 4Axles Skeletal Semi-Trailer



40Ft 4Axles Skeletal Semi-Trailer



## Flatbed Semi-Trailer Series



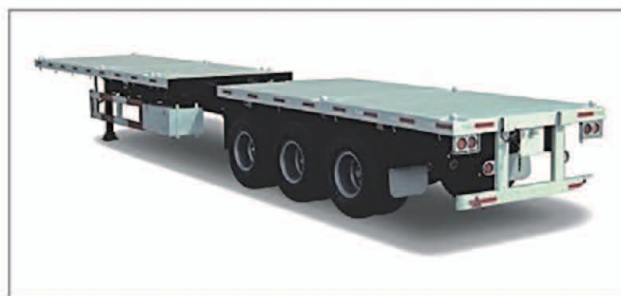
40Ft 2Axles Flatbed Semi-Trailer



40Ft 3Axles Flatbed Semi-Trailer



40Ft 3Axles Flatbed Semi-Trailer



40Ft 3Axles Drawable Flatbed Semi-Trailer



40Ft 3Axles Flatbed Semi-Trailer  
(With Front Wall and Stand Column)



40Ft 4Axles Flatbed Semi-Trailer



30Ft 3Axles Flatbed Drawbar Semi-Trailer



30Ft 4Axles Flatbed Drawbar Semi-Trailer





## Dropside Semi-Trailer Series



40Ft 2Axles Dropside Semi-Trailer



40Ft 3Axles Dropside Semi-Trailer



40Ft 3Axles Dropside Semi-Trailer



40Ft 3Axles Gooseneck Dropside Semi-Trailer



30Ft 2Axles Dropside Drawbar Trailer



30Ft 3Axles Dropside Drawbar Trailer



## Storehouse Semi-Trailer Series



30Ft 2Axles Storehouse Semi-Trailer



40Ft 2Axles Storehouse Semi-Trailer  
(With Bogie Suspension)



40Ft 3Axles Storehouse Semi-Trailer



40Ft 3Axles Storehouse Semi-Trailer



40Ft 3Axles Storehouse Semi-Trailer  
(Concave Beam Type)



40Ft 3Axles Storehouse Semi-Trailer



40Ft 3Axles Storehouse Semi-Trailer  
(Gooseneck Type)



30Ft 2Axles Storehouse Drawbar Trailer





## Van Semi-Trailer Series



45Ft 3Axles Van Semi-Trailer



40Ft 3Axles Van Semi-Trailer



40Ft 3Axles Van Semi-Trailer



40Ft 3Axles Van Semi-Trailer



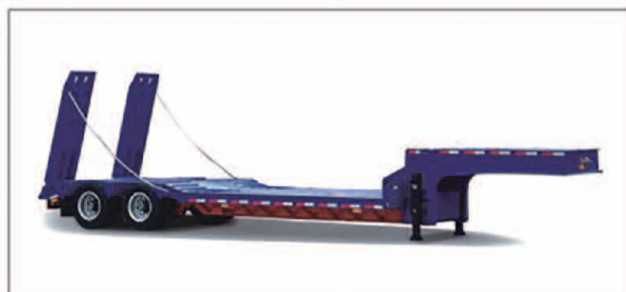
40Ft 3Axles Side Curtain Semi-Trailer



30Ft 3Axles Van Semi-Trailer



## Lowbed Semi-Trailer Series



12M 2Axles Lowbed Semi-Trailer



12M 3Axles Lowbed Semi-Trailer



13M 3Axles Lowbed Semi-Trailer



12M 3Axles Lowbed Semi-Trailer



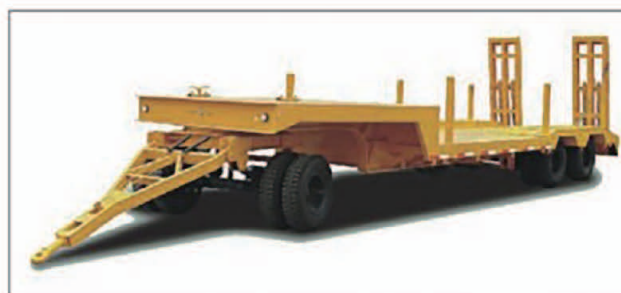
12M 3Axles Lowbed Semi-Trailer  
(With Container Support)



12M 4Axles Lowbed Semi-Trailer  
(With Extension Device for Width)



4Axles Heavy Duty Lowbed Semi-Trailer



Lowbed Trailer with one axle dolly





## Tipper Semi-Trailer Series



18CBM 2Axles Tipper Semi-Trailer



24CBM 3Axles Tipper Semi-Trailer



30CBM 3Axles Tipper Semi-Trailer



24CBM 3Axles Tipper Semi-Trailer



30CBM 3Axles Gooseneck Tipper Semi-Trailer



24CBM 3Axles U Type Tipper Semi-Trailer



## Side Tipper and Container Dumper



3Axles Side Tipper



Double Side Tipper



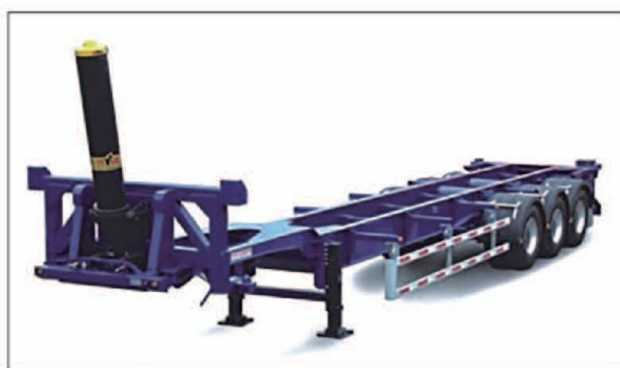
20Ft 2Axles Flatbed Container Dumper



20Ft 2Axles Flatbed Container Dumper



20Ft 2Axles Skeletal Container Dumper



40Ft 3Axles Skeletal Container Dumper





## ▲ Australia Style Semi-Trailers



40Ft 3Axles Skeletal Semi Trailer



Van trailer



45Ft 3Axles Flatbed Semi Trailer



Trailer for Woods



45Ft 3Axles Drop Deck Semi Trailer



Flatbed



45Ft 3Axles Lowbed Semi Trailer



Van trailer



## Special Trailers



45Ft 2Axles Terminal Trailer



45Ft 2Axles Terminal Trailer



2Axles Dolly Trailer



Flatbed Trailer with 2Axles Dolly Trailer



Car Carrier



Trailer for Woods



Grain Trailer



Lowbed Trailer





## Special Trailers



Full Trailer



Tipper-trailer



Full Trailer



4 Axles Tipper



Full Trailer



Dump Trailer



Full Trailer

## Truck Series



Dump truck for Mining



Concrete Mixer Truck



Bulk Feed Truck



Dump truck



Dumper Truck



Side Dumper Truck





## Fuel Tank Semi-Trailer Series



2Axles Fuel Tank Semi-Trailer  
(Carbon Steel)



3Axles Fuel Tank Semi-Trailer  
(Carbon Steel)



3Axles Fuel Tank Semi-Trailer  
(Stainless Steel)



3Axles Fuel Tank Semi-Trailer  
(Aluminum Alloy)



3Axles Fuel Tank Semi-Trailer  
(Stainless Steel)



3Axles Container Tank Semi-Trailer  
(Stainless Steel)

## ■ Bulk Tank & Concrete Mixer



2Axles Bulk Tank Semi-Trailer



3Axles Bulk Tank Semi-Trailer



3Axles Bulk Tank Semi-Trailer



3Axles Bulk Tank Semi-Trailer



Concrete Mixer Semi-Trailer



Concrete Mixer Semi-Trailer

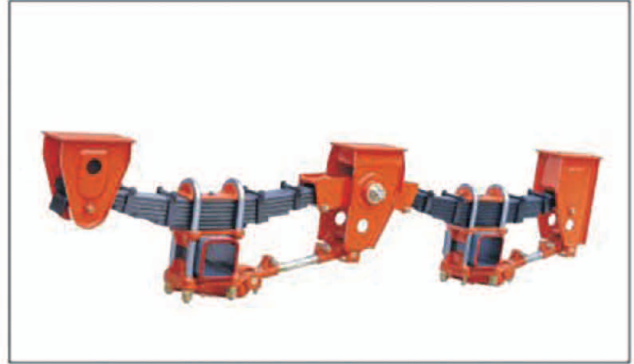




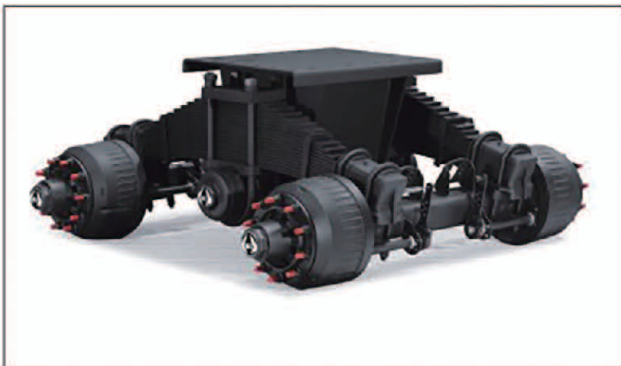
## Main Spare Parts



German Type Mechanical Suspension



American Type Mechanical Suspension



Bogie Suspension



Air Suspension System



Axles



Tyres



## Side Lifter & Boom



Side-lifter-truck



Container-sidelifter



Side-lifter-truck



Side-lifter-truck



Container-side-loader



Side-lifter-truck



Side-lifter-truck





## Why choice us?

1. Increased section height of boom greatly reduces the deflection of boom at large working radius, and improves the telescopic capacity with load;
2. Boom adopts four hexagonal welds with upper and lower overlapping structure, which has greater structural strength and higher safety factor;
3. Long-span rear outrigger improves the stability of whole vehicle and lifting capacity of the medium and long boom;
4. The main valve adopts manual proportional multi-way valve to realize compound action and improve operation efficiency;
5. Integrated control panel (engine start and stop, etc.) makes operation more simple and reliable;
6. The winch adopts high speed and double balance valve structure, which makes low speed operation more stable;
7. Working range and lifting capacity are superior to similar products;
8. Radiator available for every model;

## Details



## 直臂随车起重机 Straight Boom Truck Crane

Protective cover for installation of lower valve



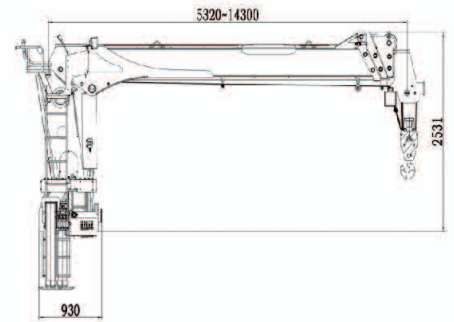
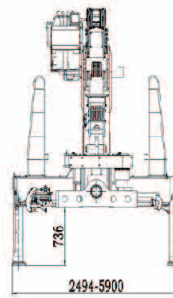
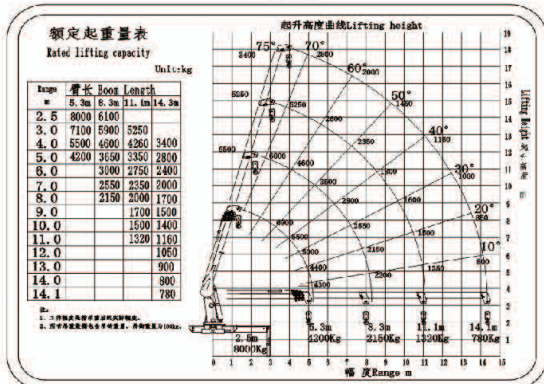


| 参数<br>车型                                  | SHS2004 | SHS2005 | SHS2505 |
|---|---------|---------|---------|
| 最大起重量<br>Max. Lifting Capacity (kg):      | 8000    | 8000    | 10000   |
| 最大起重力矩<br>Max. Lifting Moment (kN.m):     | 200     | 200     | 250     |
| 最大工作臂长<br>Max. length of working arm (m): | 14.3    | 17      | 17      |
| 最大起升高度<br>Max. Working Height(m):         | 15.5    | 18      | 18      |
| 吊臂仰角范围<br>Boom elevation range(°):        | 0-75    | 0-75    | 0-75    |
| 回转角度<br>Swing angle(°):                   | 360°    | 360°    | 360°    |
| 支腿跨距<br>Outrigger span (m):               | 5.95    | 5.95    | 7.1     |
| 额定工作流量<br>Rated work flow (L/min):        | 60      | 60      | 60      |
| 起重机自重<br>Weight (kg):                     | 3600    | 3900    | 4100    |

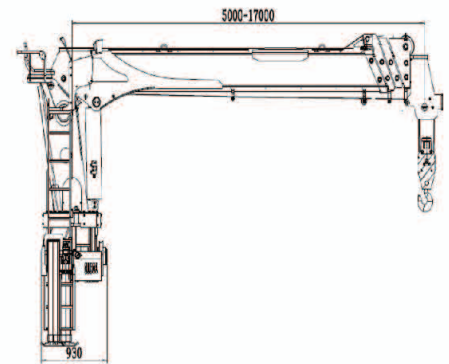
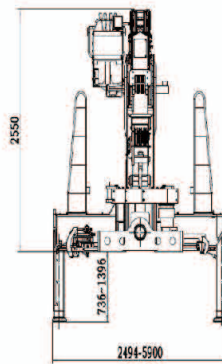
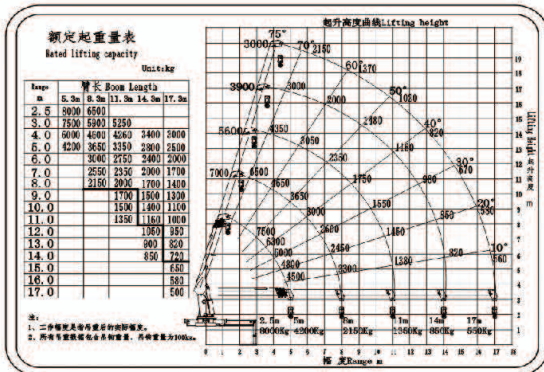
## Data

## Dimension

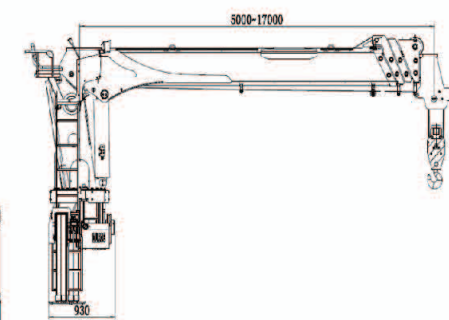
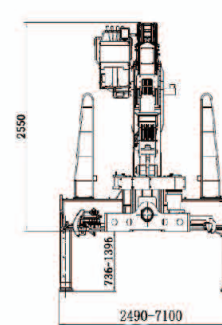
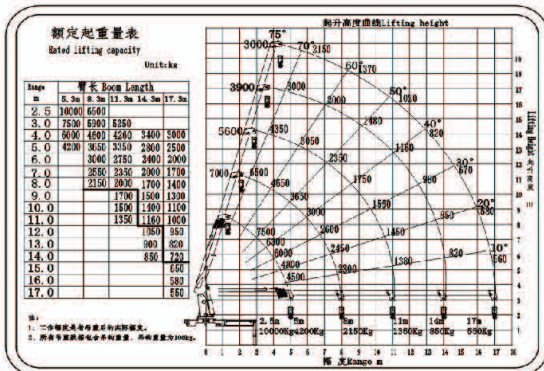
### SHS2004



### SHS2005



### SHS2505







# 河北盛航专用汽车制造有限公司

Hebei Shenghang Special Purpose Automobile Manufacturing Co., Ltd

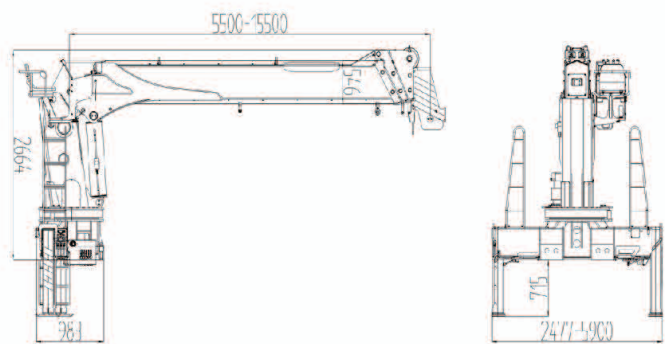
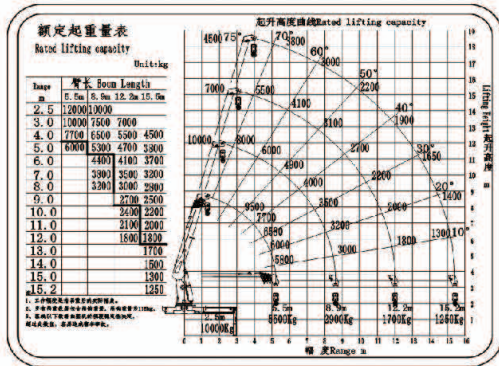


| 参数<br>车型   | SHS3004 | SHS3005 | SHS3305 |
|--|---------|---------|---------|
| 最大起重量<br>Max Lifting Capacity (kg):  | 12000   | 12000   | 13000   |
| 最大起重力矩<br>Max Lifting Moment (kN·m):                                       | 300     | 300     | 330     |
| 最大工作臂长<br>Max length of working arm (m):                                   | 15.5    | 17.3    | 17.3    |
| 最大起升高度<br>Max Working Height (m):<br>(※起腿状态下)<br>(With outrigger extended) | 16.5    | 18.5    | 18.5    |
| 吊臂仰角范围<br>Boom elevation range(°):   | 0-75    | 0-75    | 0-75    |
| 回转角度<br>Swiveling angle(°):  | 360°    | 360°    | 360°    |
| 支腿跨距<br>Outrigger span (m):  | 5.95    | 5.95    | 7.1     |
| 额定工作流量<br>Rated work flow (L/min):   | 50+40   | 50+40   | 50+40   |
| 起重机自重<br>Weight (kg):  | 4700    | 4900    | 5300    |

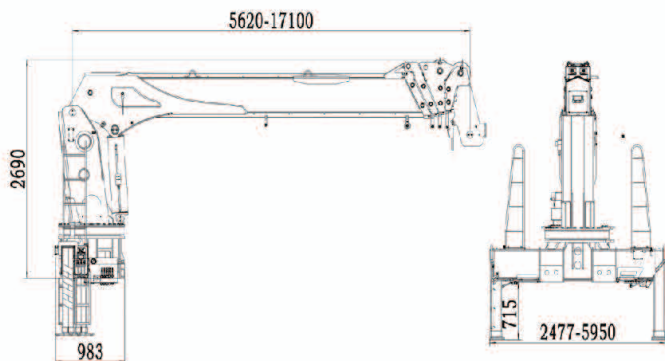
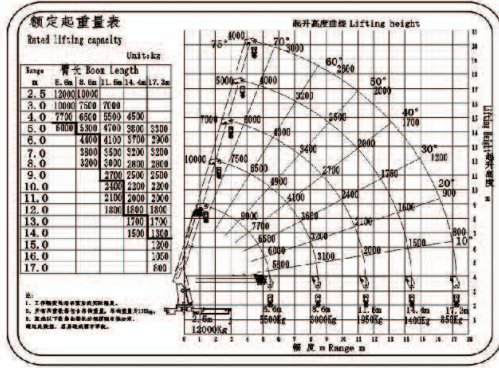
## Data

## Dimension

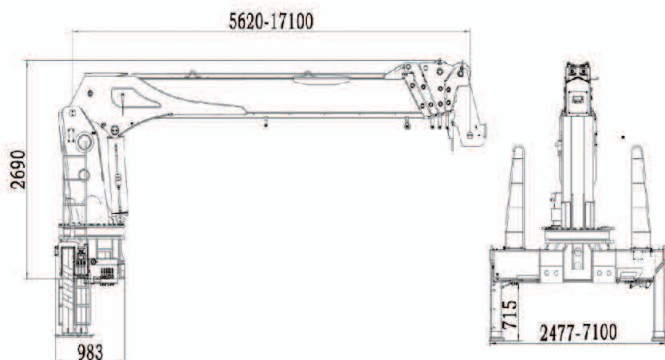
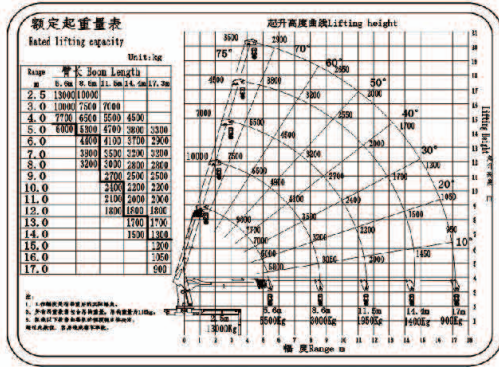
SHS3004



SHS3005



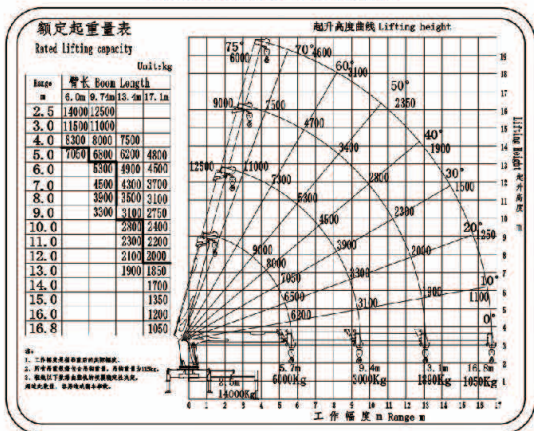
SHS3305



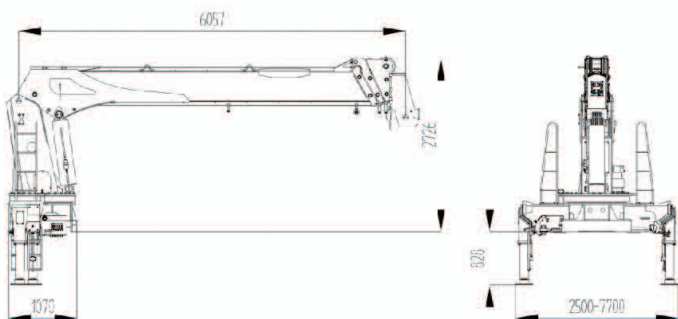




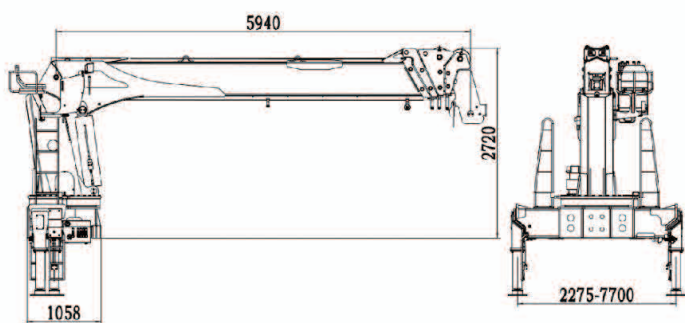
## SHS3604 Data



## SHS3604 Dimension

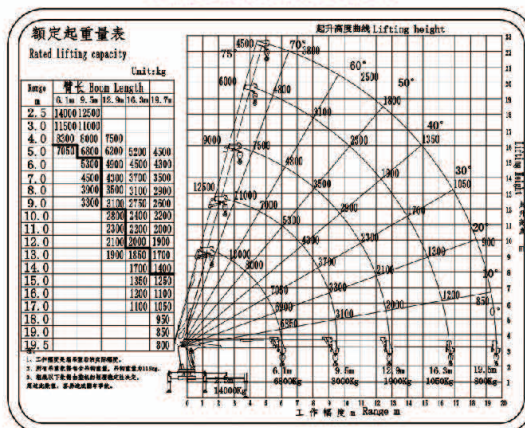


## SHS3605 Dimension



| 参数                                      | SHS3604 | SHS3605 |
|---|---------|---------|
| 最大起重量<br>Max Lifting Capacity (kg)      | 14000   | 14000   |
| 最大起重力矩<br>Max Lifting Moment (kN·m)     | 360     | 360     |
| 最大工作臂长<br>Max length of working arm (m) | 17.1    | 19.7    |
| 最大起升高度<br>Max Working Height (m)        | 18      | 21      |
| 吊臂仰角范围<br>Boom elevation range (°)      | 0-75    | 0-75    |
| 回转角度<br>Slewing angle (°)               | 360°    | 360°    |
| 支腿跨距<br>Outriggers span (m)             | 7.7     | 7.7     |
| 额定工作量<br>Rated work flow (L/min)        | 50+40   | 50+40   |
| 起重机自重<br>Weight (kg)                    | 5600    | 5900    |

## SHS3605 Data







## 新能源汽车 NEW ENERGY ELECTRIC DRIVEN TRUCKS



Compression garbage truck 3T 5T 8T



Food garbage truck



Garbage truck with removable box



Dump garbage truck



Garbage truck with self-loading and unloading



Closed Drum Garbage Truck



Road sweeper

新能源汽车 NEW ENERGY ELECTRIC DRIVEN TRUCKS



Washing and sweeping truck



Sprinkler cleaning truck



Multifunctional Dust Suppression truck



Road maintenance truck



Suction Sewage truck



Mixer truck



Dump truck





**Professional For Top Quality**

## **河北盛航专用汽车制造有限公司**

Hebei Shenghang Special Purpose Automobile Manufacturing Co., Ltd

Add: West Industrial Road, Xingtang Economic Development Zone,  
Shijiazhuang, Hebei, China 050600

T: +86-311-85426885

Cell: +8613303936900 Wechat/Whatsapp: +8613303936900

Zalo: +8613303936900

Email: President798@gmail.com

[www.hbshcx.com](http://www.hbshcx.com)